

**INSTRUCTION MANUAL  
PARABELLA STAND**



**Parts**



**1 x PARAB**



**1 X PARAL (Pair)**



**1 x C15230**



**8 x M12 x 25**



**4 x M10 x 20**



**1 x ALLEN KEY (8mm)**



**1 x ALLEN KEY (6mm)**



**1 x PLWL (screens over 50")**

**or**

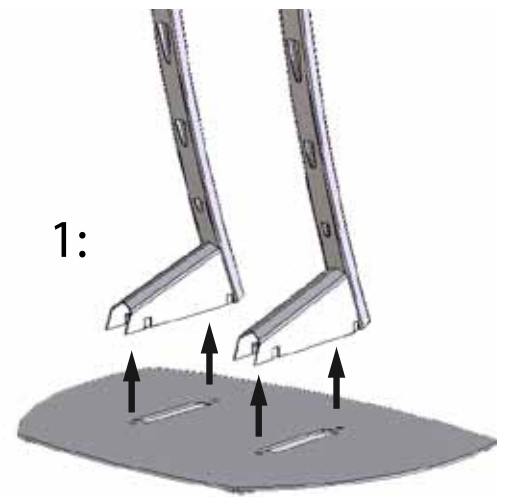


**1 x PZW (screens up to 50")**

# Steps

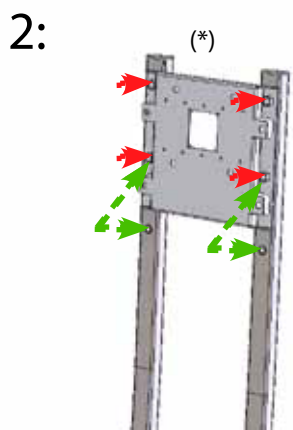
Note: cable up legs before assembly

Units come with either a Universal screen mount or Xactmatch mount **and adapter.** .

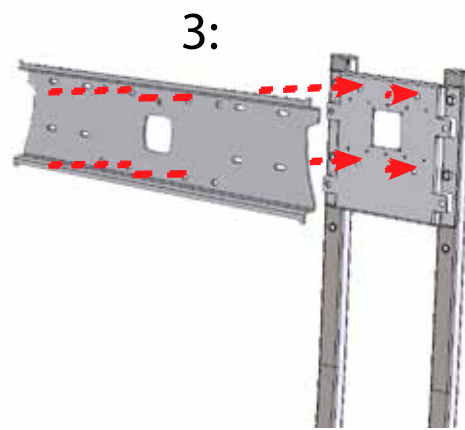


Screws 4 x M12 x 25

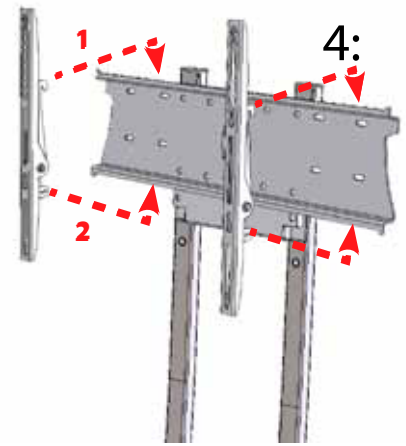
## PZW : Universal



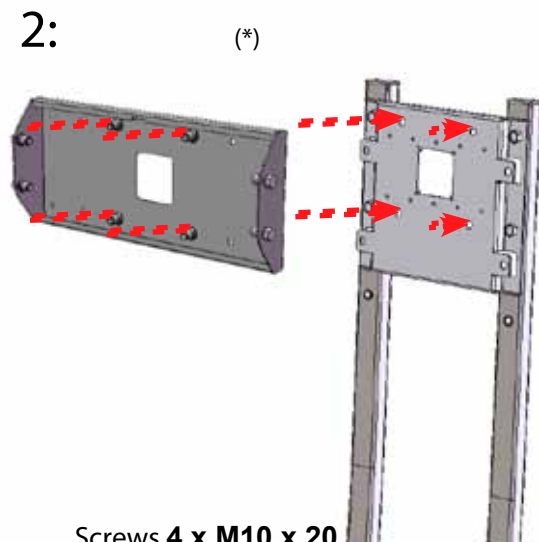
Screws 4 x M12 x 25



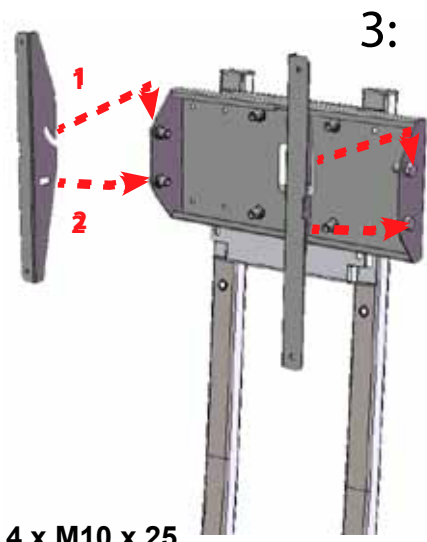
Screws 4 x M10 x 20



## PLWL:Xactmatch



Screws 4 x M10 x 20



Screws 4 x M10 x 25

(\*) Green Arrows are alternative fixing holes

Caution: Ensure all fittings are correctly tightened before use

If you require assistance please call: 01865 767676  
or email: sales@unicol.com

www.unicol.com